



LNZ-25 ABS Case

- Dial Size:** 2 1/2" Glycerin Filled
- Pressure Ranges:** 30" HG to 6,000 PSI/Bar (Dual Scale)
- Accuracy:** Within 2.0% of Maximum Graduation
- Case:** ABS (Acrylnitril Butadien Styrol)
- Bourdon Tube:** Phosphor Bronze - Up to 600 P.S.I., Stainless Steel
Coiled Tube for 600 PSI and Higher Pressures
- Movement:** Brass and Delrin[®] W/Highly Finished Bearing Surfaces
- Connection:** 1/4" Male NPT Brass Bottom or Rear Center Connection

(Optional Threads See Page 19c)

Safety Blow-Out Disc Included
Restrictors Standard to Restrict Pulsations

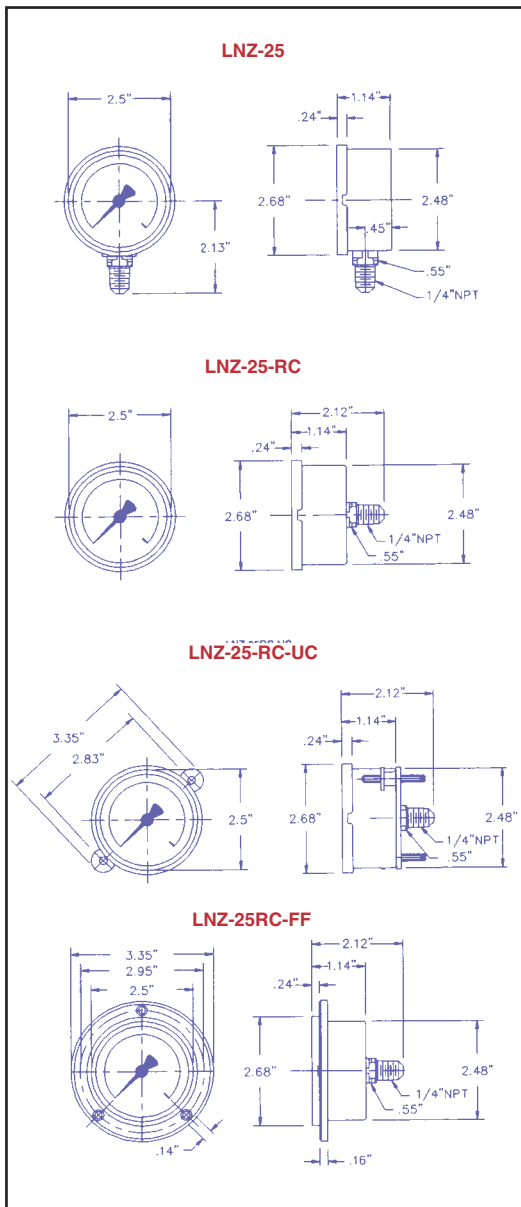
LNZ-25-RC MOUNTING OPTIONS, ADD SUFFIX:
 "FF" for Black Front Flange - Example: LNZ-160-25RC-FF
 "UC" for U-Clamp Panel Mounting - Example: LNZ-3M-25RC-UC



"LNZ-25"

LNZ-25 Series ABS Case Pressure Gauges featuring an ABS glycerin filled case, brass stem, are ideal for severe pulsation, vibration and where corrosive atmospheres are factors. These Lenz pressure gauges are perfect for the original equipment manufacturers (O.E.M.) and other hydraulic and pneumatic equipment due to being cost effective.

ST'D. BOTTOM MOUNT MODEL NUMBER	REAR CENTER MOUNT MODEL NUMBER	FULL RANGE		FIGURE INTERVAL		GRADUATION INTERVAL	
		ENGLISH PSI	METRIC BAR	PSI	BAR	PSI	BAR
LNZ-15-25	LNZ-15-25RC	0-15	0-1	3	.2	.25	.02
LNZ-30-25	LNZ-30-25RC	0-30	0-2	5	.5	.5	.05
LNZ-60-25	LNZ-60-25RC	0-60	0-4	10	1	1	.1
LNZ-100-25	LNZ-100-25RC	0-100	0-7	20	1	2	.2
LNZ-160-25	LNZ-160-25RC	0-160	0-10	20	2	2	.2
LNZ-200-25	LNZ-200-25RC	0-200	0-14	20	2	4	.2
LNZ-300-25	LNZ-300-25RC	0-300	0-20	50	5	5	.5
LNZ-400-25	LNZ-400-25RC	0-400	0-28	50	5	5	.5
LNZ-500-25	LNZ-500-25RC	0-500	0-35	100	5	10	.5
LNZ-600-25	LNZ-600-25RC	0-600	0-42	100	10	10	1
LNZ-800-25	LNZ-800-25RC	0-800	0-56	100	10	10	1
LNZ-1M-25	LNZ-1M-25RC	0-1000	0-70	200	10	20	2
LNZ-1500-25	LNZ-1500-25RC	0-1500	0-100	300	20	25	2
LNZ-2M-25	LNZ-2M-25RC	0-2000	0-140	400	20	25	2
LNZ-3M-25	LNZ-3M-25RC	0-3000	0-210	500	50	50	5
LNZ-5M-25	LNZ-5M-25RC	0-5000	0-350	1000	50	100	5
LNZ-6M-25	LNZ-6M-25RC	0-6000	0-420	1000	100	100	10



2 1/2" Glycerin-Filled Dual Scale Vacuum Gauges

ST'D. BOTTOM MOUNT MODEL NUMBER	REAR CENTER MOUNT MODEL NUMBER	FULL RANGE		FIGURE INTERVAL		GRADUATION INTERVAL	
		ENGLISH HG	METRIC BAR	HG	BAR	HG	BAR
LNZ-30HG-25	LNZ-30HG-25RC	0-30"	0-1	5	.2	1	.02

